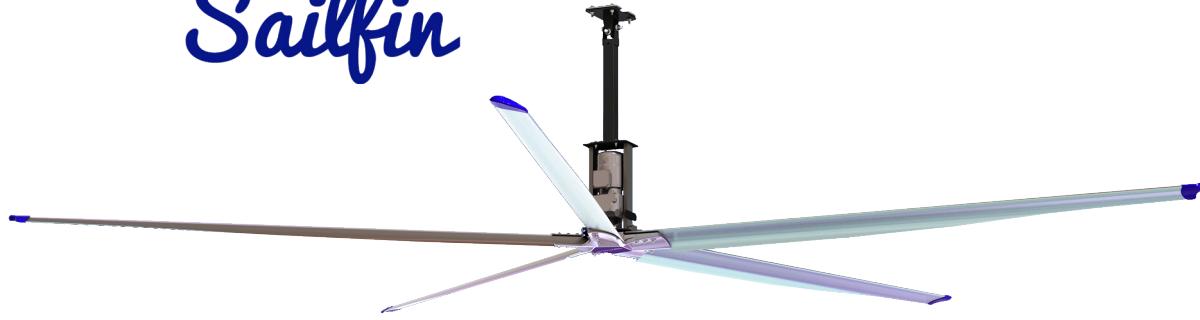


Altra-Air Sailfin



4.3 M (14 FT) ALTRA-AIR SAILFIN FAN SPECIFICATIONS

General

Diameter.....	4.3 m (14 ft)
Number of Blades.....	5
Motor Power.....	1.1 kW (1.5 HP)
Noise Level.....	62.6 dBA
Weight (no mount).....	118 kgs (260 lbs)

Performance

Maximum Velocity.....	1.96 m/s (386 ft/min)
Airflow.....	59,953 l/s (127,033 CFM)
Maximum Speed.....	92.5 RPM
Power Usage.....	.860 W
Maximum Effective Diameter.....	33 m (110 ft)

Gear Motor

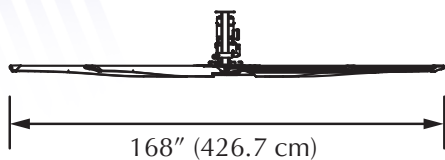
Type.....	Helical Inline Reducer
HP.....	1.5 HP (50 Hz / 60 Hz)
Ratio.....	23.74
Volts.....	230 V / 400 V / 460 V / 575 V
Amps Consumed.....	3.6A @ 230 V
Insulation Class.....	F
Torque.....	141Nm (104 ft-lbs)
Thrust.....	231 N (52 lbs)

Warranty

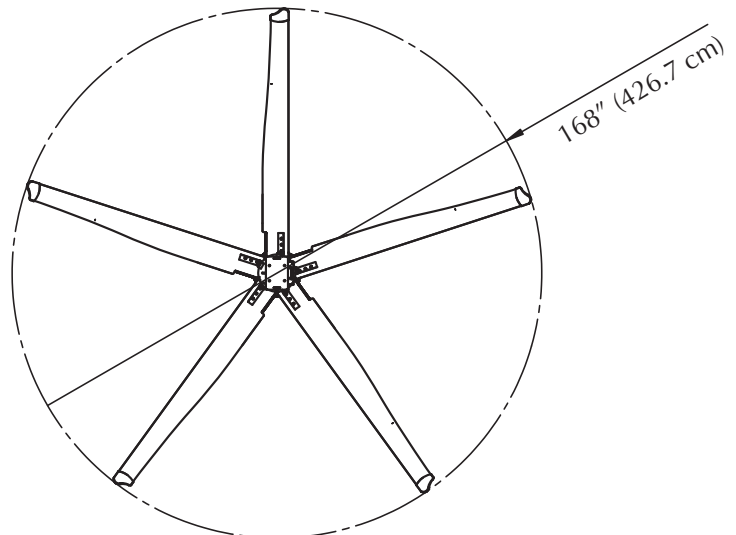
Motor, Gearbox & Control Panel.....	3 Years
Blades, Hub & Mounting System.....	Lifetime

*Please see Altra-Air Installation Guide for warranty specifications and exclusions.

* These specifications are guidelines only and are subject to change without notice.



Sailfin Blade Profile



ENVIRA-NORTH
SYSTEMS LIMITED

(519) 527-2198

www.enviranorth.com